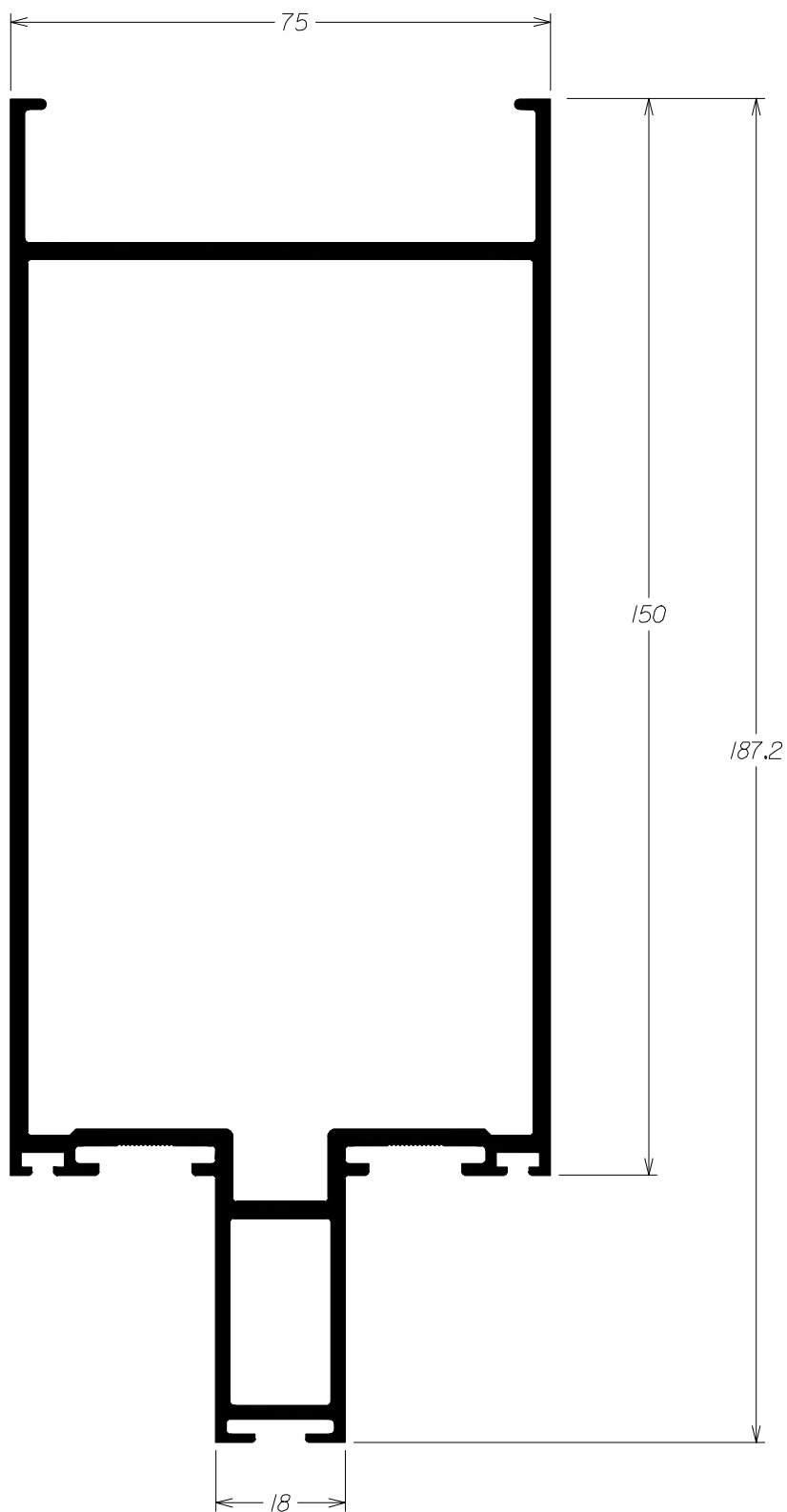


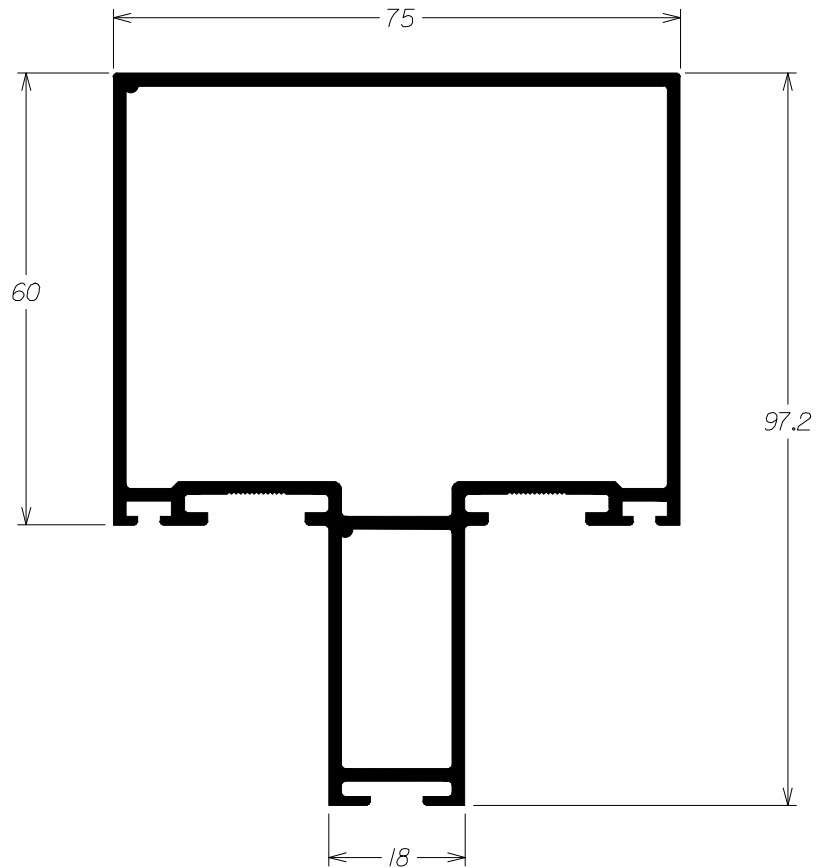
PELE DE VIDRO II



FC-233
3.494 kg/m

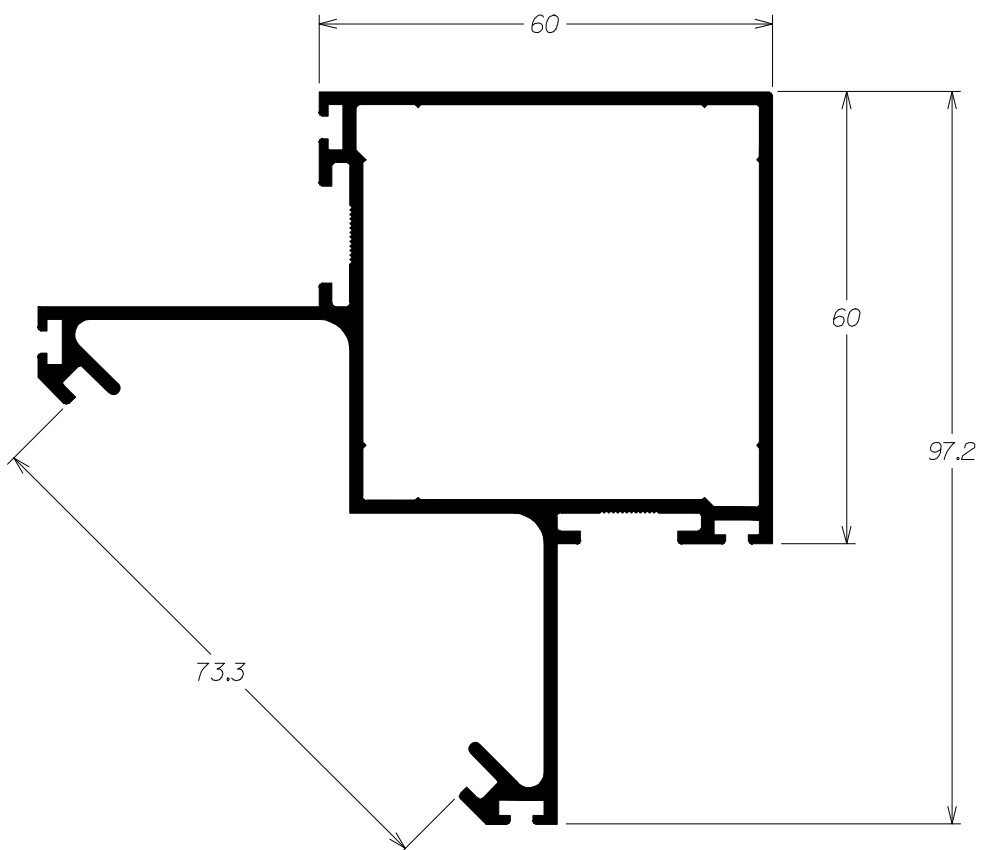
- REGIONAL
- SBA
- TUB
- ITS

PELE DE VIDRO II



FC-202
1.821 kg/m

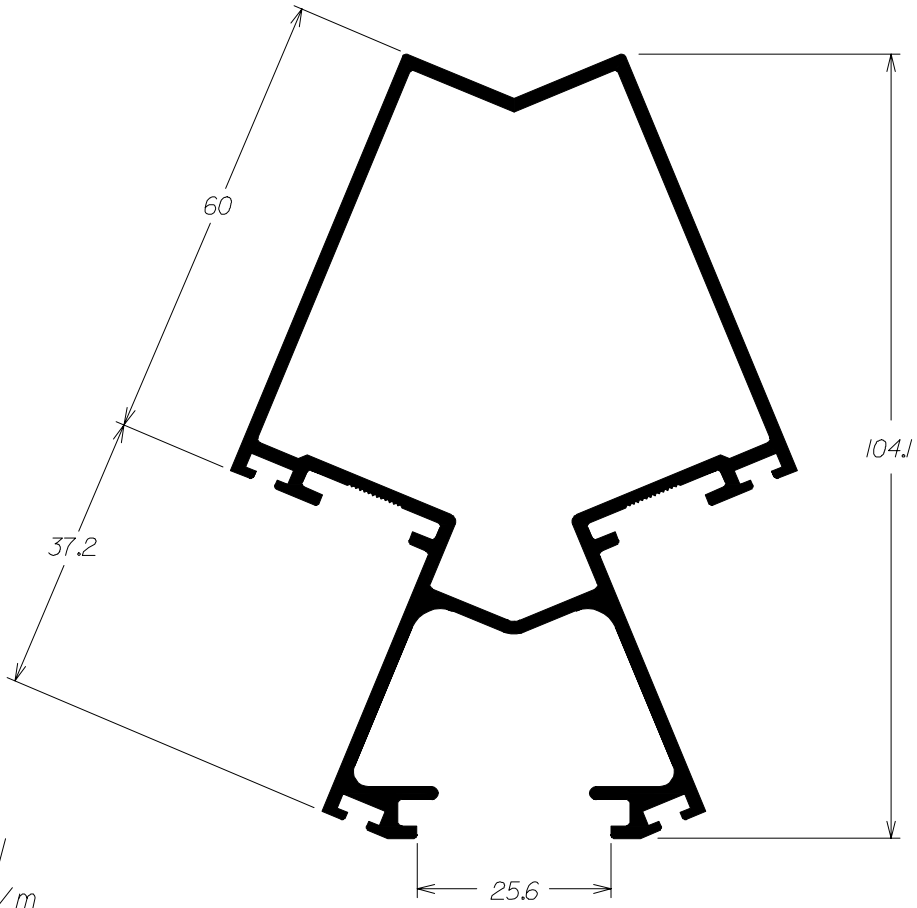
- REGIONAL
- SBA
- TUB
- ITS



FC-244
1.786 kg/m

- REGIONAL
- SBA
- TUB
- ITS

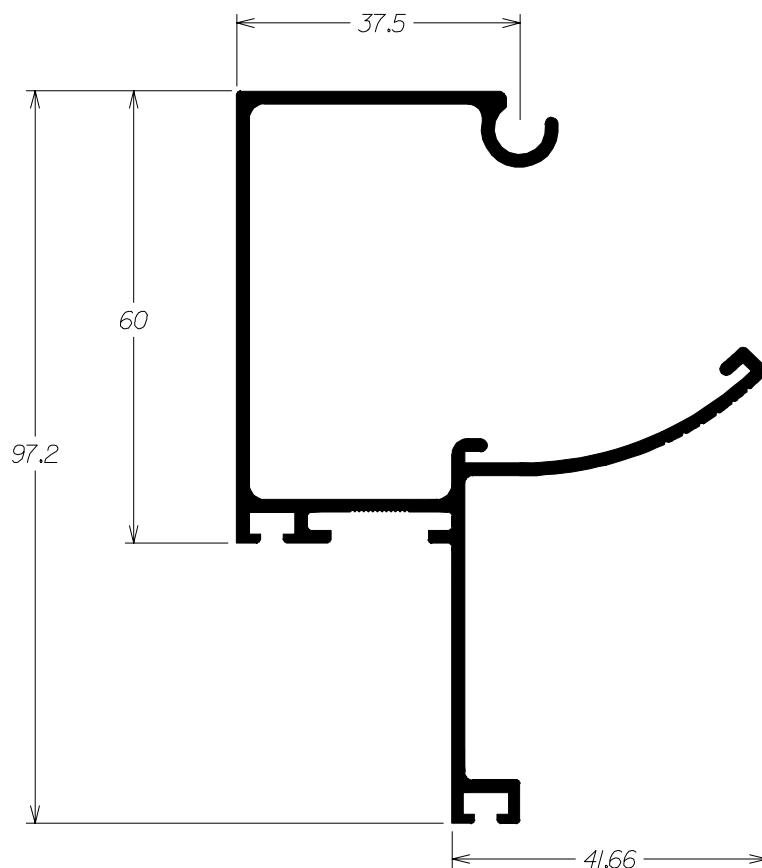
PELE DE VIDRO II



FC-24I
1.807 kg/m

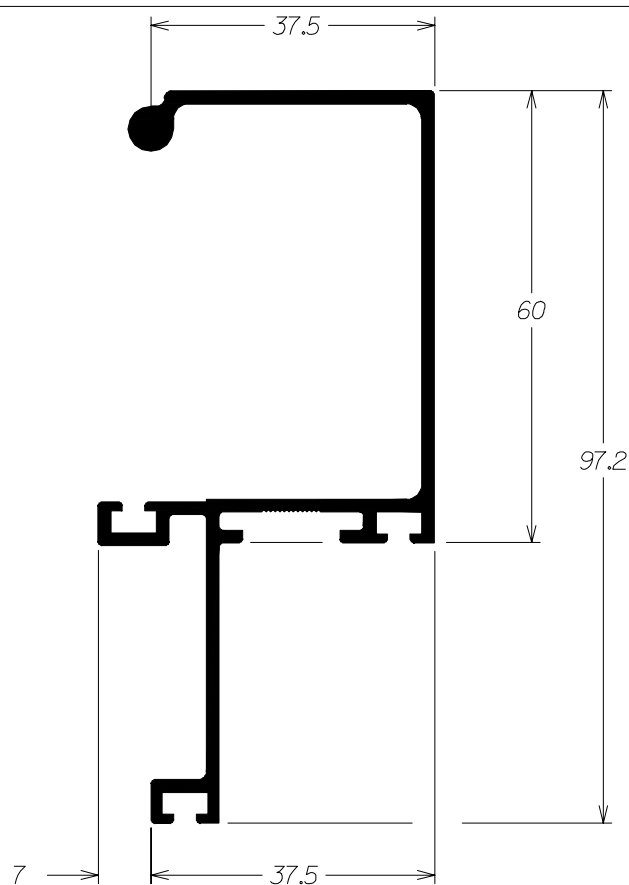
- REGIONAL
- SBA
- TUB
- ITS

PELE DE VIDRO II



FC-325
1.236 kg/m

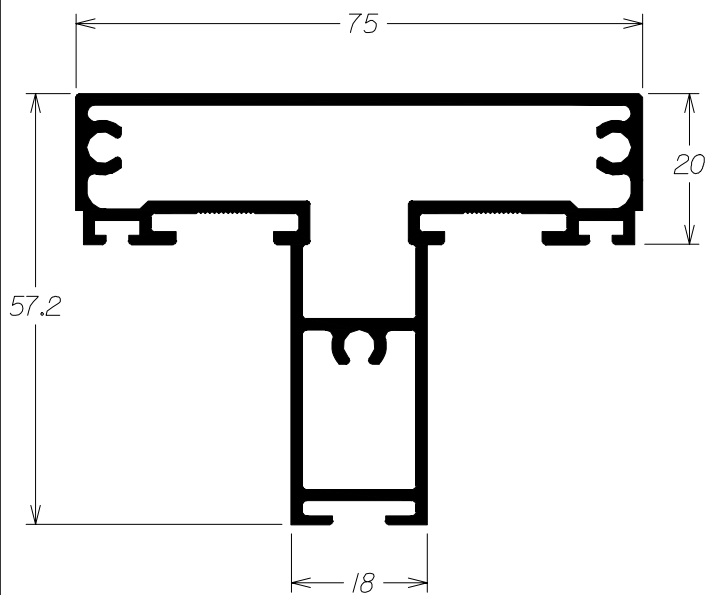
- REGIONAL
- SBA
- TUB
- ITS



FC-326
1.069 kg/m

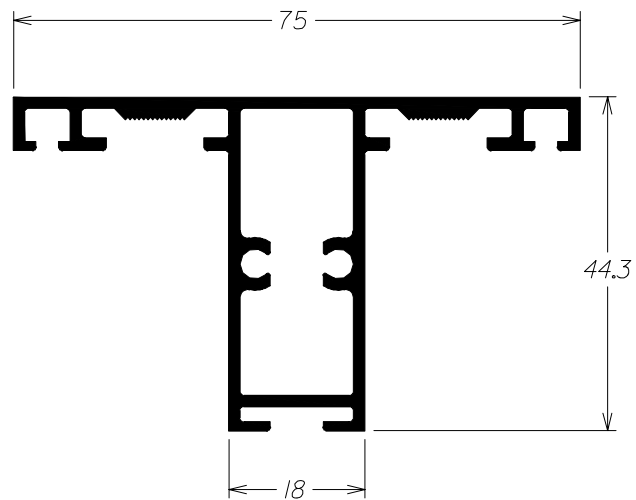
- REGIONAL
- SBA
- TUB
- ITS

PELE DE VIDRO II



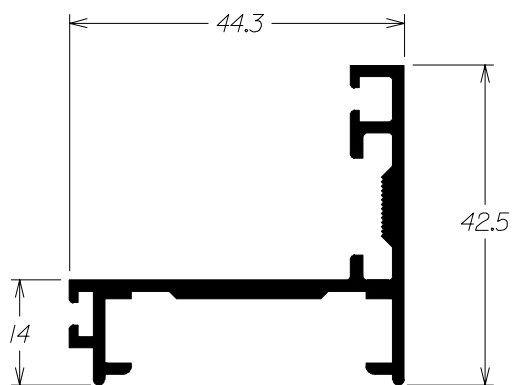
FC-517
1.441 kg/m

NACIONAL



FC-231
1.062 kg/m

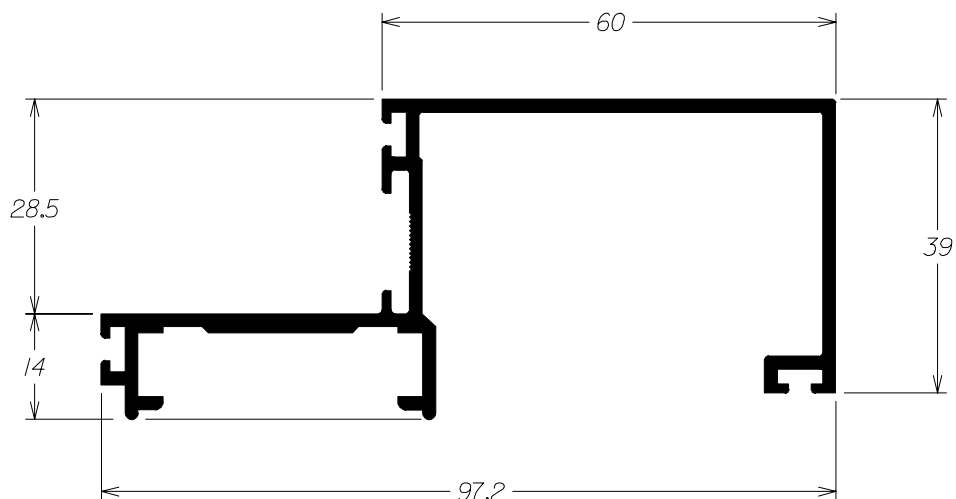
REGIONAL
 SBA
 TUB
 ITS



FC-225
0.640 kg/m

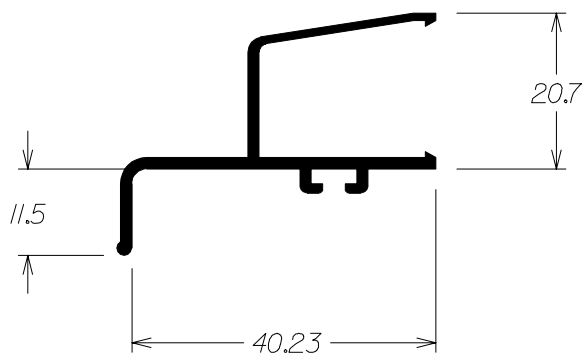
REGIONAL
 SBA
 TUB
 ITS

PELE DE VIDRO II



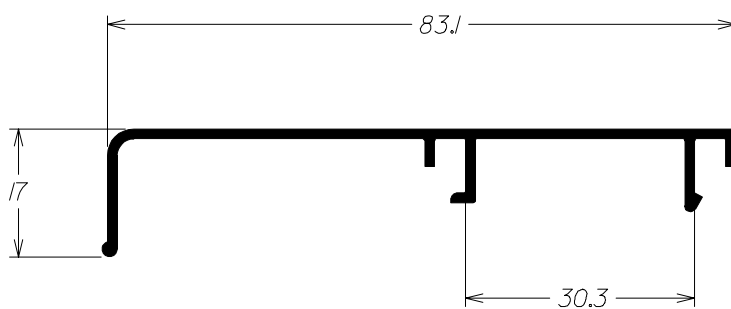
FC-243 *
1.108 kg/m

- REGIONAL
- SBA
- TUB
- ITS



FC-292
0.377 kg/m

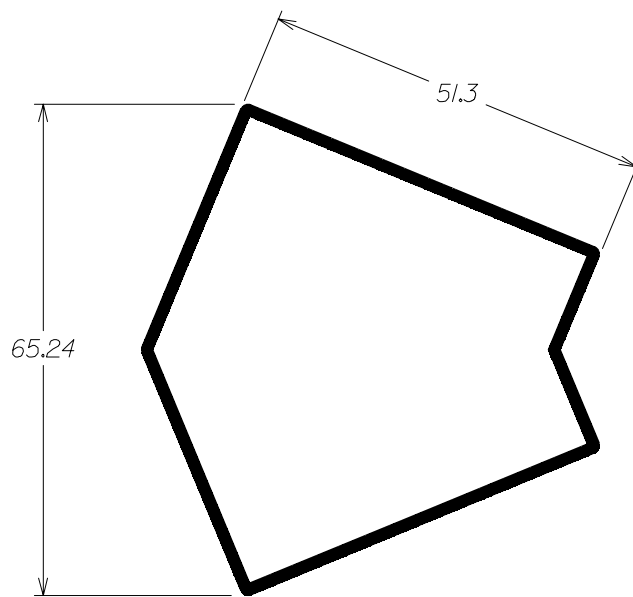
- NACIONAL



FC-687
0.445 kg/m

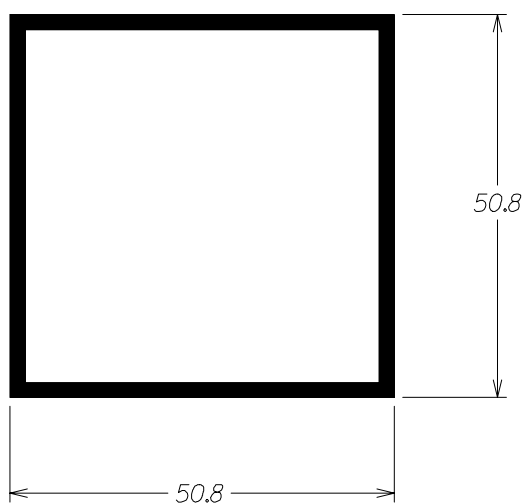
- REGIONAL
- SBA
- TUB
- ITS

PELE DE VIDRO II



FC-240
0.799 kg/m

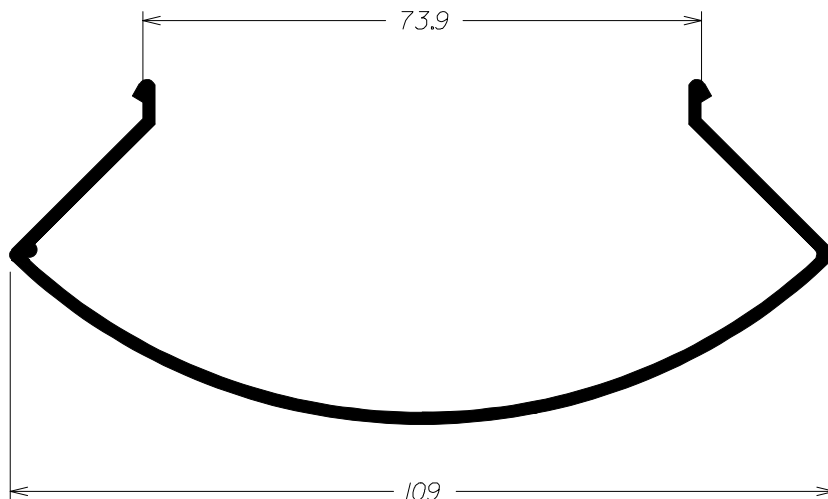
- REGIONAL
- SBA
- TUB
- ITS



TQ-017
1.047 kg/m

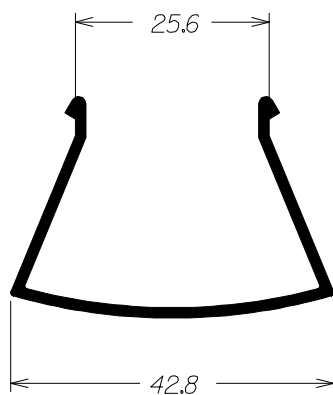
- REGIONAL
- SBA
- TUB
- ITS

PELE DE VIDRO II



FC-242
0.791 kg/m

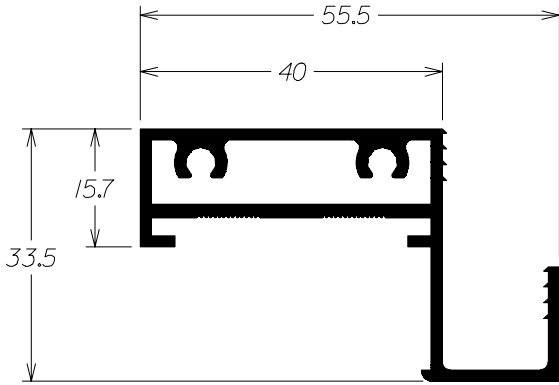
- REGIONAL
- SBA
- TUB
- ITS



FC-239
0.378 kg/m

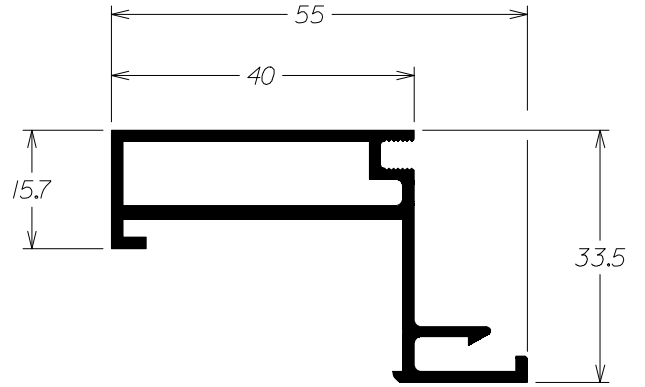
- REGIONAL
- SBA
- TUB
- ITS

PELE DE VIDRO II



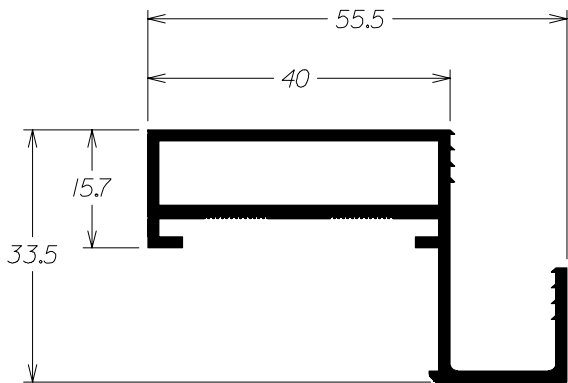
FC-208
0.783 kg/m

- REGIONAL
- SBA
- TUB
- ITS



FC-254
0.643 kg/m

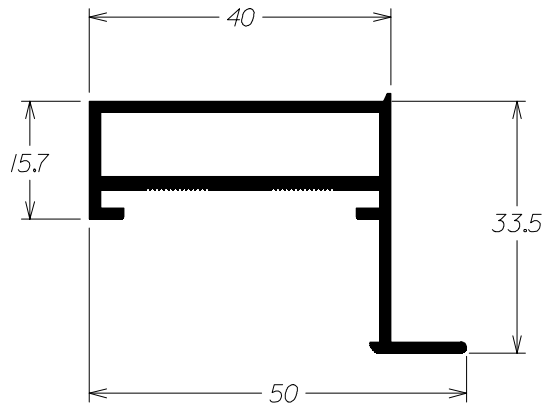
- NACIONAL



FC-293
0.677 kg/m

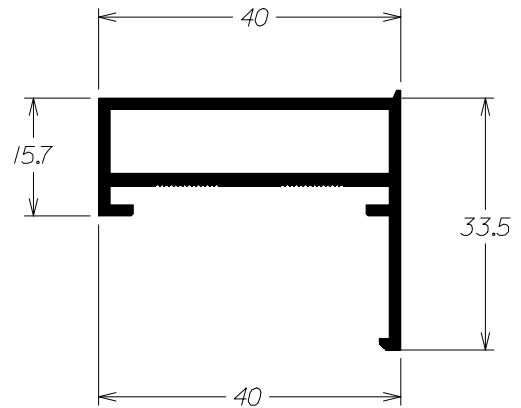
- REGIONAL
- SBA
- TUB
- ITS

PELE DE VIDRO II



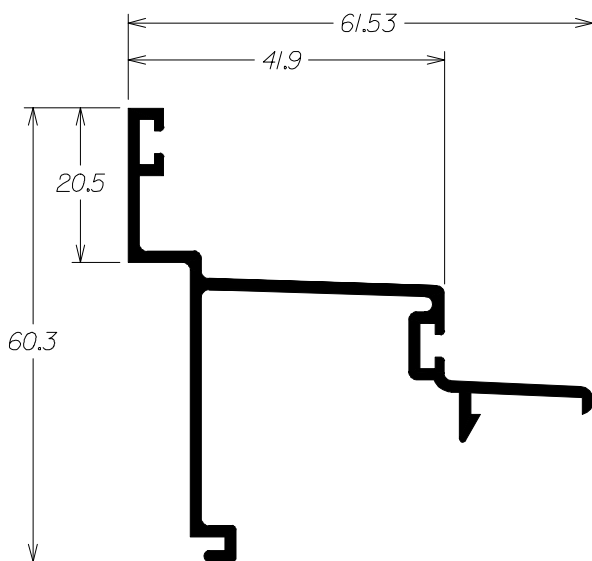
FC-228
0.594 kg/m

- REGIONAL
- SBA
- TUB
- ITS



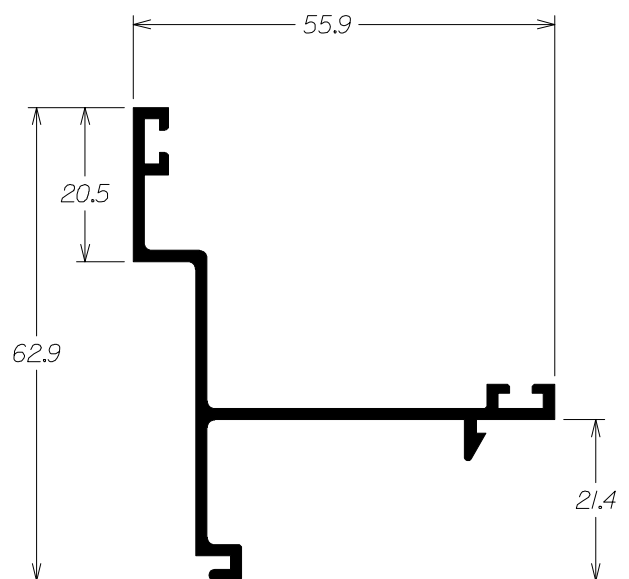
FC-261
0.555 kg/m

- REGIONAL
- SBA
- TUB
- ITS



FC-227
0.674 kg/m

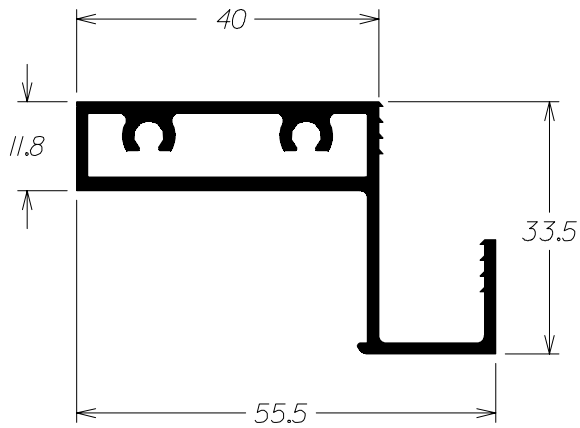
- REGIONAL
- SBA
- TUB
- ITS



FC-249
0.605 kg/m

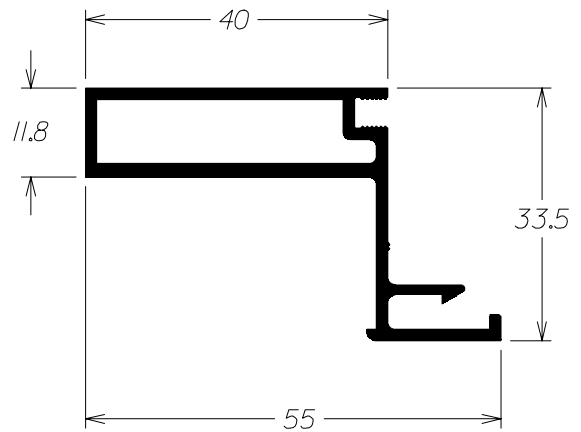
- REGIONAL
- SBA
- TUB
- ITS

PELE DE VIDRO II



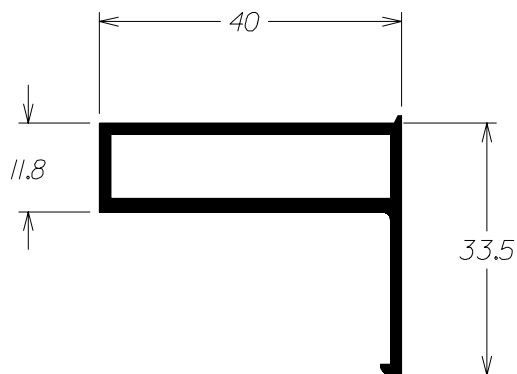
FC-669
0.752 kg/m

- REGIONAL
- SBA
- TUB
- ITS



FC-578
0.647 kg/m

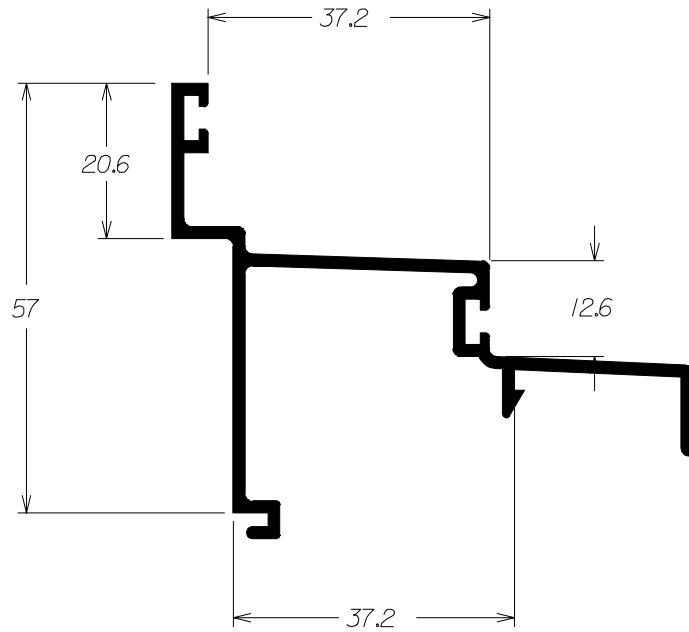
- NACIONAL



FC-579
0.522 kg/m

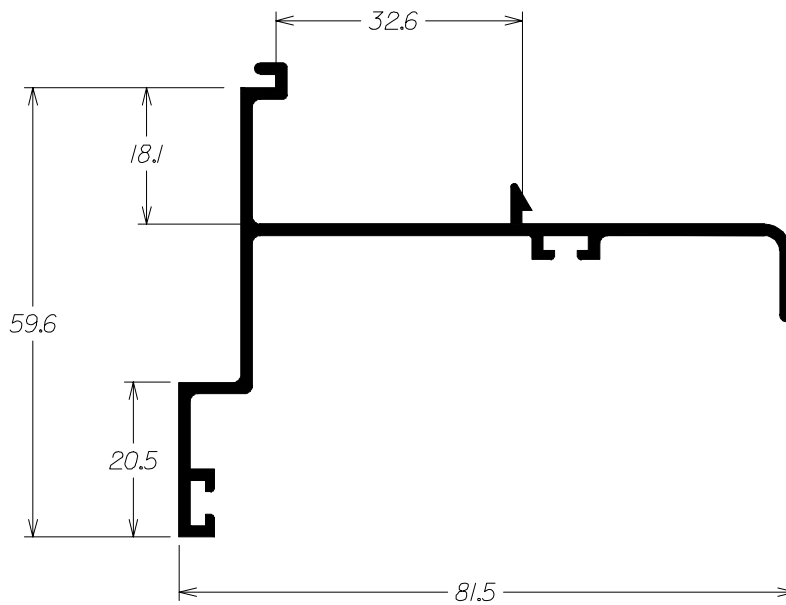
- NACIONAL

PELE DE VIDRO II



FC-222
0.788 kg/m

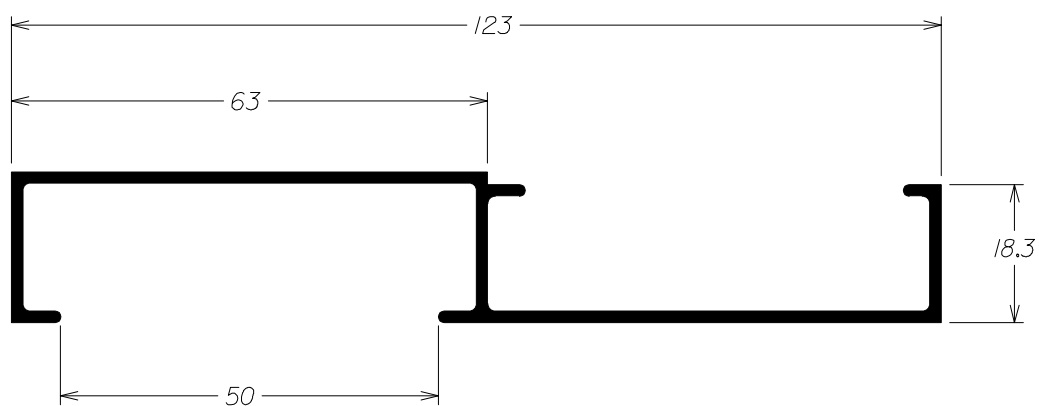
- REGIONAL
- SBA
- TUB
- ITS



FC-226
0.749 kg/m

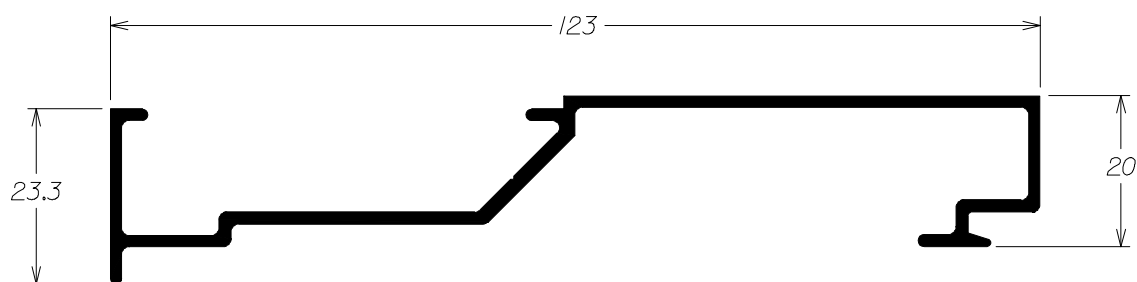
- REGIONAL
- SBA
- TUB
- ITS

PELE DE VIDRO II



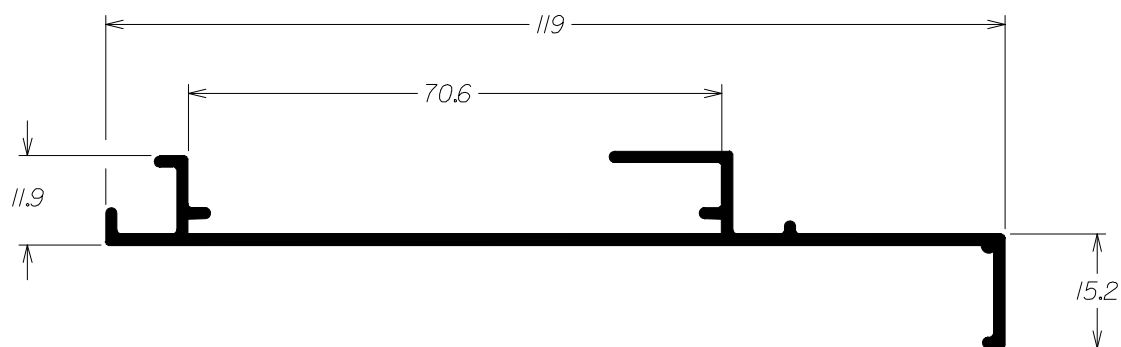
FC-245
0.795 kg/m

- REGIONAL
- SBA
- TUB
- ITS



FC-250
0.836 kg/m

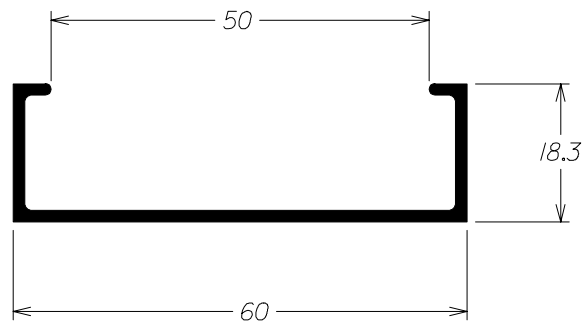
- REGIONAL
- SBA
- TUB
- ITS



FC-257
0.747 kg/m

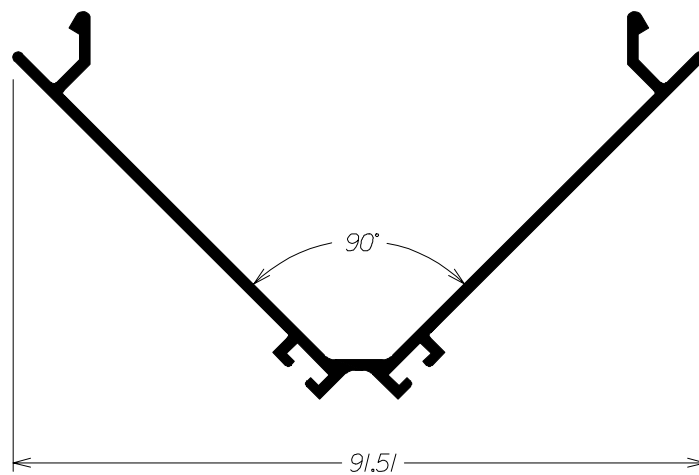
- REGIONAL
- SBA
- TUB
- ITS

PELE DE VIDRO II



FC-256
0.410 kg/m

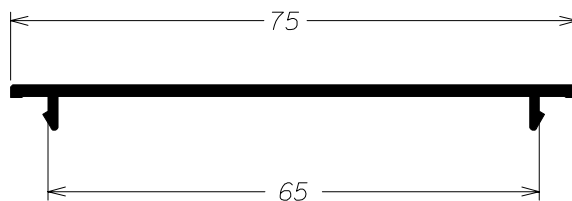
NACIONAL



FC-260
0.659 kg/m

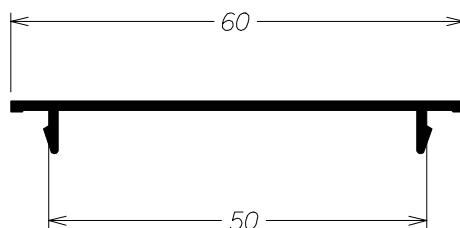
NACIONAL

PELE DE VIDRO II



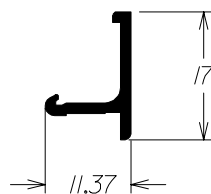
FC-234
0.339 kg/m

- REGIONAL
- SBA
- TUB
- ITS



FC-085
0.255 kg/m

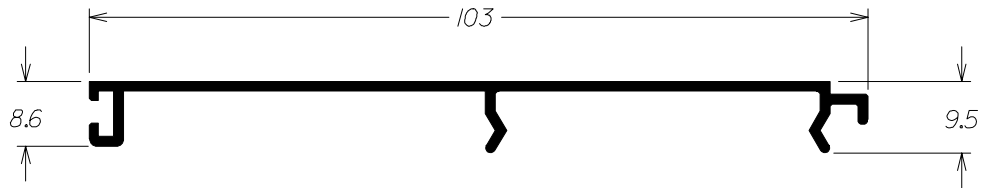
- REGIONAL
- SBA
- TUB
- ITS



FC-301
0.110 kg/m

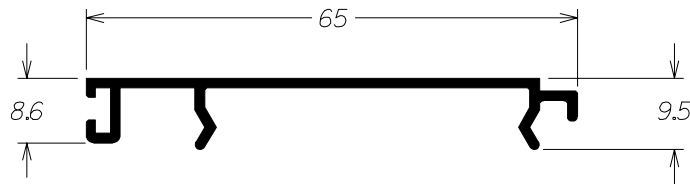
- REGIONAL
- SBA
- TUB
- ITS

PELE DE VIDRO II



FC-356
0.479 kg/m

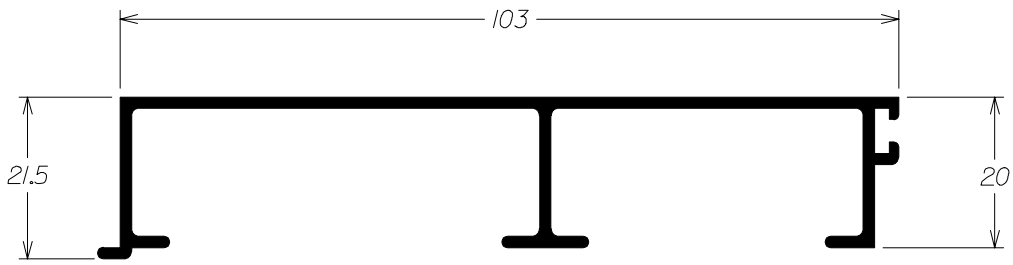
- REGIONAL
- SBA
- TUB
- ITS



FC-357
0.345 kg/m

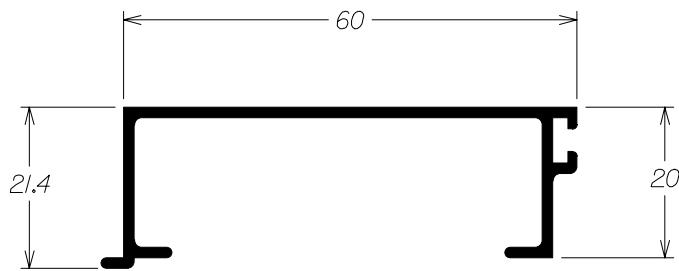
- REGIONAL
- SBA
- TUB
- ITS

PELE DE VIDRO II



FC-246
0.766 kg/m

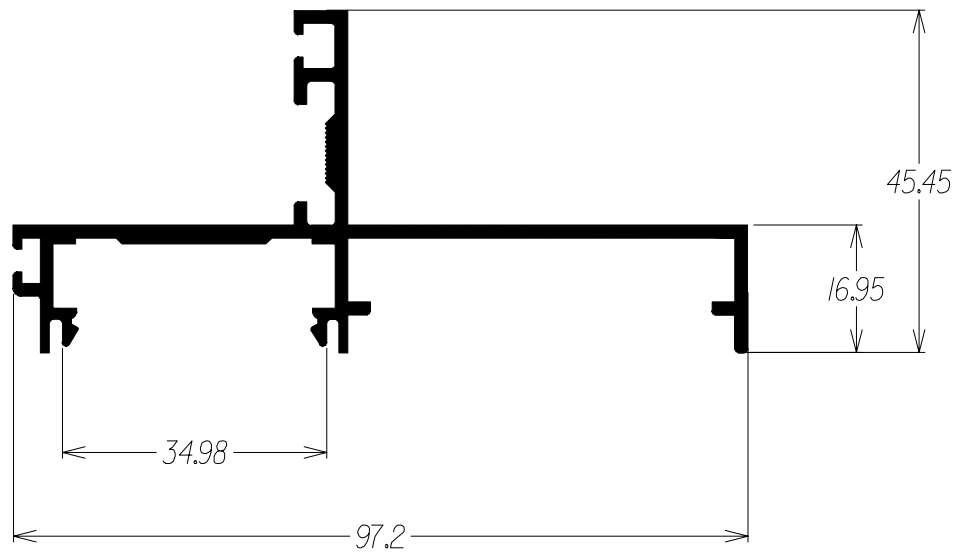
- REGIONAL
- SBA
- TUB
- ITS



FC-247
0.444 kg/m

- REGIONAL
- SBA
- TUB
- ITS

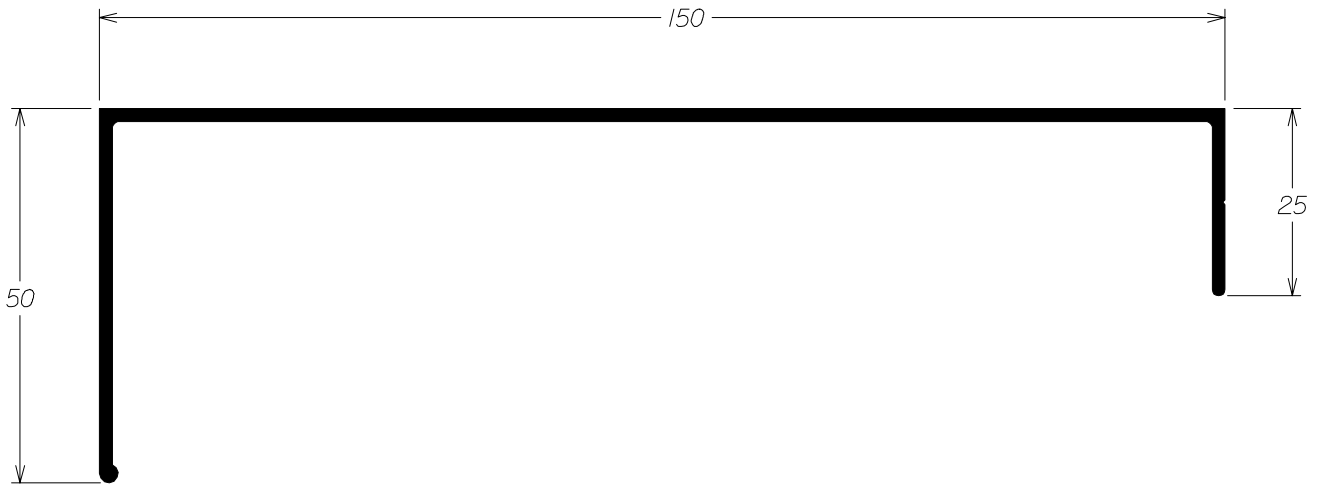
PELE DE VIDRO II



FC-631
1.057 kg/m

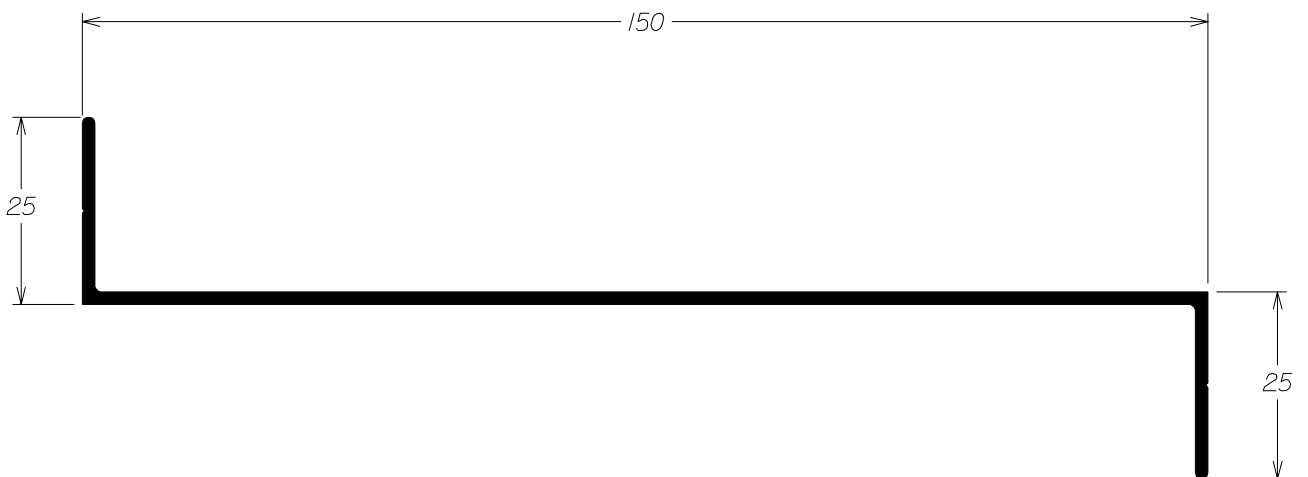
- REGIONAL
- SBA
- TUB
- ITS

PELE DE VIDRO II



FC-087
1.025 kg/m

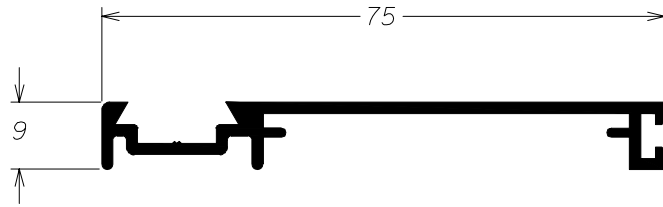
- REGIONAL
- SBA
- TUB
- ITS



FC-088
0.906 kg/m

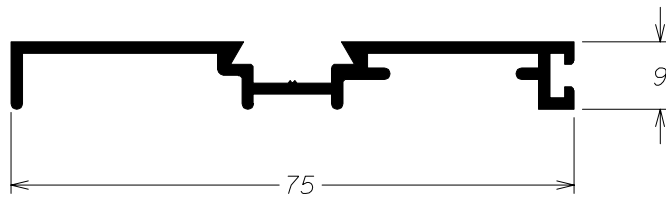
- REGIONAL
- SBA
- TUB
- ITS

PELE DE VIDRO II



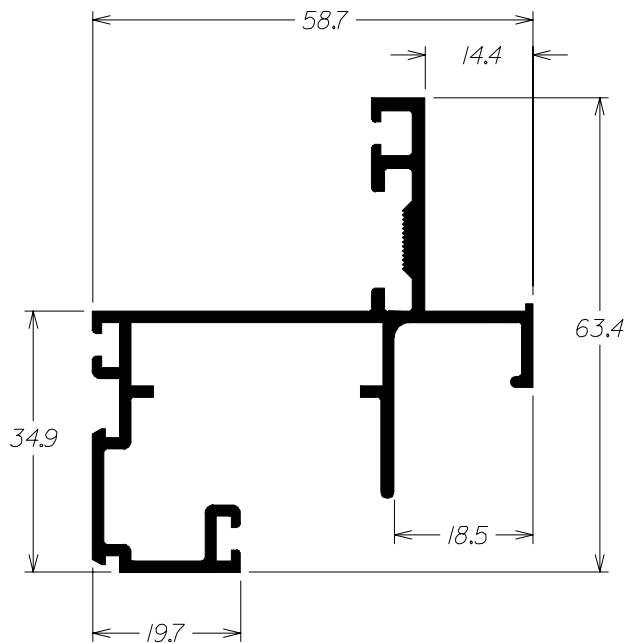
FC-258
0.486 kg/m

- REGIONAL
- SBA
- TUB
- ITS



FC-300
0.493 kg/m

- NACIONAL



FC-360
0.971 kg/m

- NACIONAL